

---

---

---

# Multipurpose Turbine for Blower and Generator

Katsunori Yoshida, Hideki Takano, Kenzo Yamaguchi

## 要旨

多目的送風発電設備は CDQ (Coke dry quenching) 廃熱

## Synopsis:

This plant has realized stable blast blowing through CDQ (Coke Dry Quenching) waste heat recovery boiler. Since the CDQ steam, owing to varia-

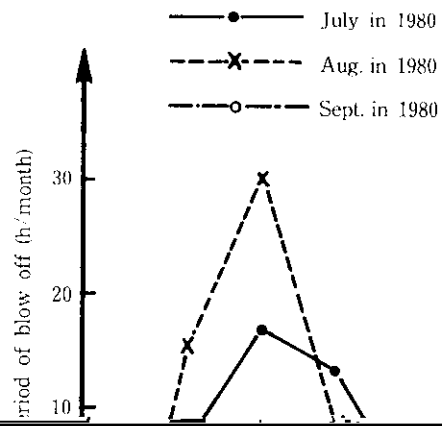
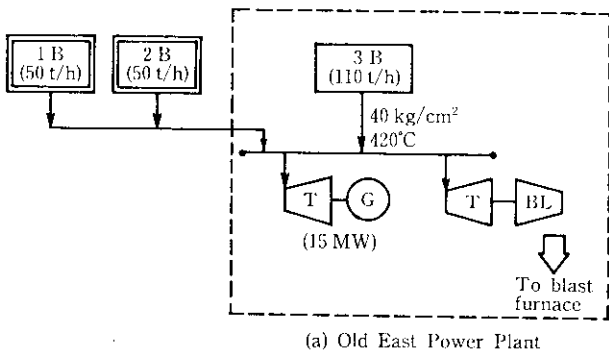
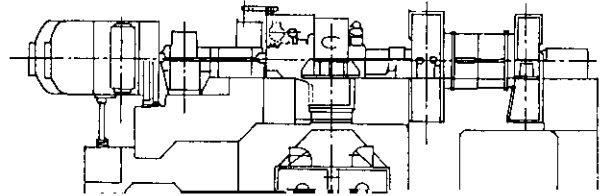
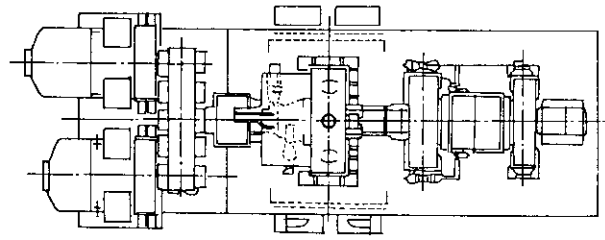


Table 1 Main features

| Item          |                                | Specification   |                          |                         |
|---------------|--------------------------------|---|--------------------------|-------------------------|
| Turbine       | Type                           | Single casing, mixing pressure, condensing turbine with extraction port |                          |                         |
|               | Output                         | 28 500 kW   |                          |                         |
|               | Revolution                     | 3 610 rpm   |                          |                         |
|               | Steam                          | CDQ   | Process                  | Extract.                |
|               | Pressure                       | 40 kg/cm <sup>2</sup>   | 15~18 kg/cm <sup>2</sup> | 7~10 kg/cm <sup>2</sup> |
|               | Temperature                    | 420°C   | 220°C                    | 200°C                   |
|               | Vacuum                         | 722 mmHg  |                          |                         |
| Mixing port   | One                            |   |                          |                         |
| Extract. port | Two                            |   |                          |                         |
| Manufacturer  | Kawasaki Heavy Industries Ltd. |   |                          |                         |



- (1) 混気時の温度変化に耐えられること
- (2) 混気点での蒸気の流れを乱さないこと

—— First extract part

① In normal operation

② When CDQ steam reduced to half

Energy flow

Effect