

コークス炉移動機械の自動化技術*

川崎製鉄技報
31 (1999) 4, 252-256

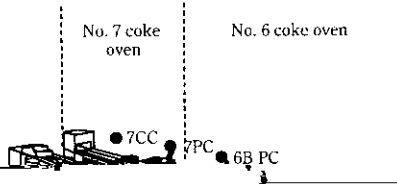
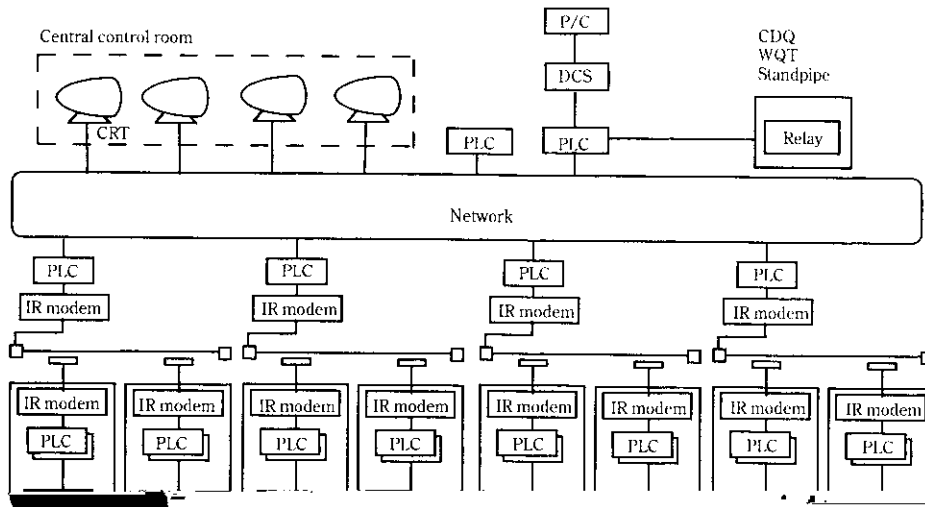


Table 1 Manned/automatic transition of moving machines at No. 6 and No. 7 coke oven plants

	No. 6 coke oven	No. 7 coke oven	Stand-by machines
Pusher car			



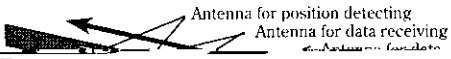


Table 4 Newly introduced function for automatic operation

The table content is completely obscured by heavy horizontal black bars and noise, making it illegible.

	1994	1995	1996	1998
--	------	------	------	------

